



ALN4161206

**Industry Standards**

UL 50, Types 4, 4X, 12, & 13  
CSA Certified, Types 4 & 12  
NEMA/EEMAC Types 4, 12, & 13  
JIC EL-1-71

 UL File E6924

 CSA File LL66078

**FEATURES-SPECIFICATIONS**
**Applications**

This lightweight enclosure provides long-lasting protection for housing electrical components in highly corrosive environments. It is used in both indoor and outdoor settings that are frequently wet or have constant exposure to water, other liquids, or contaminants. Suitable for use in petro-chemical plants, sewage plants, marine environments, and similar installations.

**Construction**

- Bodies and doors fabricated from .080-inch thick (2 millimeters) 5052-H32 aluminum
- Continuously welded seams ground smooth, no holes or knockouts

- Door and body stiffeners are provided in larger enclosures for extra rigidity
- Rolled lip on three sides of door and all sides of enclosure opening is provided to exclude liquids and contaminants
- Quick and easy to operate stainless steel door clamps are provided
- Doors are removable by pulling stainless steel continuous hinge pin
- Hasp and staple for padlocking
- Print pocket is provided
- Closed cell oil resistant neoprene gasket
- Collar studs provided for mounting optional sub panels
- External mounting feet for mounting enclosure

- Grounding provisions provided
- Optional** back panels must be ordered separately

**Finish**

- All exterior surfaces of enclosures have a smooth grained finish
- Optional** aluminum back panels are unpainted
- Optional** steel back panels are white polyester powder over phosphatized surfaces

**Accessories**

- Back panels (reference tables)
- See pages J1-J19

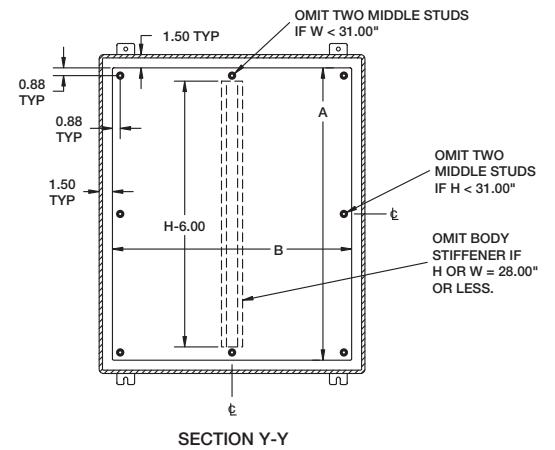
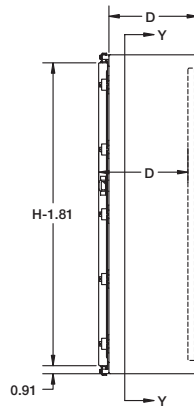
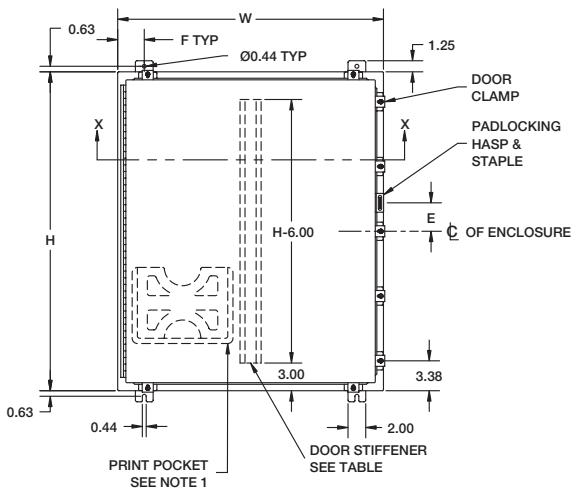
**ALN4 SERIES SINGLE DOOR ALUMINUM ENCLOSURES**

CATALOG NUMBER	ENCLOSURE SIZE H X W X D	BACK PANEL CATALOG NUMBER*		BACK PANEL SIZE A X B	F	STIFFENER		E
		WHITE	ALUM.			DOOR	BODY	
ALN4161206	16.00x12.00x6.00 (406x305x152)	NP1612	ALNP1612	13.00x9.00 (330x229)	1.25 (32)	No	No	0
ALN4201606 ◀	20.00x16.00x6.00 (508x406x152)	NP2016	ALNP2016	17.00x13.00 (432x330)	3.00 (76)	No	No	0
ALN4202006	20.00x20.00x6.00 (508x508x152)	NP2020	ALNP2020	17.00x17.00 (432x432)	3.00 (76)	No	No	0
ALN4242006 ◀	24.00x20.00x6.00 (610x508x152)	NP2420	ALNP2420 ◀	21.00x17.00 (533x432)	3.00 (76)	No	No	4.313 (110)
ALN4161608 ◀	16.00x16.00x8.00 (406x406x203)	NP1616	ALNP1616 ◀	13.00x13.00 (330x330)	3.00 (76)	No	No	0
ALN4242408 ◀	24.00x24.00x8.00 (610x610x203)	NP2424	ALNP2424	21.00x21.00 (533x533)	3.00 (76)	No	No	4.313 (110)
ALN4302408	30.00x24.00x8.00 (762x610x203)	NP3024	ALNP3024	27.00x21.00 (686x533)	3.00 (76)	No	No	5.813 (148)
ALN4362408 ◀	36.00x24.00x8.00 (914x610x203)	NP3624	ALNP3624	33.00x21.00 (838x533)	3.00 (76)	No	No	7.313 (186)
ALN4363008	36.00x30.00x8.00 (914x762x203)	NP3630	ALNP3630	33.00x27.00 (838x686)	3.00 (76)	No	Yes	7.313 (186)
ALN4483608 ◀	48.00x36.00x8.00 (1219x914x203)	NP4836	ALNP4836 ◀	45.00x33.00 (1143x838)	3.00 (76)	Yes	Yes	0
ALN4201610 ◀	20.00x16.00x10.00 (508x406x254)	NP2016	ALNP2016	17.00x13.00 (432x330)	3.00 (76)	No	No	0
ALN4242010 ◀	24.00x20.00x10.00 (610x508x254)	NP2420	ALNP2420	21.00x17.00 (533x432)	3.00 (76)	No	No	4.313 (110)
ALN4242410	24.00x24.00x10.00 (610x610x254)	NP2424	ALNP2424	21.00x21.00 (533x533)	3.00 (76)	No	No	4.313 (110)
ALN4302412 ◀	30.00x24.00x12.00 (762x610x305)	NP3024	ALNP3024	27.00x21.00 (686x533)	3.00 (76)	No	No	5.813 (148)
ALN4363012 ◀	36.00x30.00x12.00 (914x762x305)	NP3630	ALNP3630	33.00x27.00 (838x686)	3.00 (76)	No	Yes	7.313 (186)
ALN4603612 ◀	60.00x36.00x12.00 (1524x914x305)	NP6036	ALNP6036 ◀	57.00x33.00 (1448x838)	3.00 (76)	Yes	Yes	6.656 (169)

◀ NEW PRODUCT IN 2003

\*Back panels must be ordered separately.

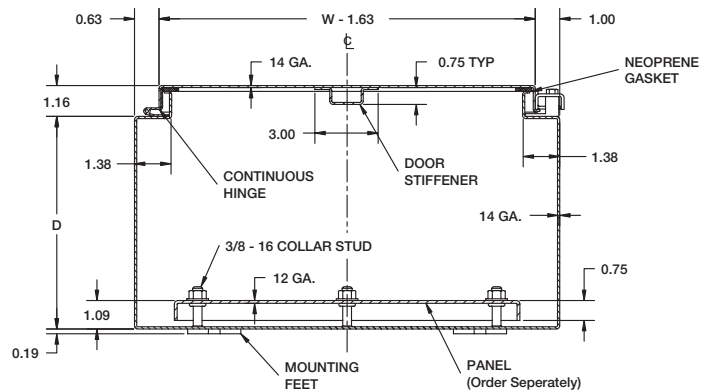

**WIEGMANN®**



SECTION Y-Y

NOTES:

1. Large print pocket (8X10) is furnished if H = 20.00" or more and W = 20.00" or more. Otherwise small (6X6) print pocket is provided.
2. Panels made from 12 Ga. steel or 10 Ga. Aluminum.
3. Panels have flanges along all sides when either dimension exceeds 17".
4. The number of door clamps is dependent on size of enclosure. Clamps are furnished along three sides of door.
5. F = 3" when W is 16" or greater and 1-1/4" when W is 12" or less.



SECTION X-X

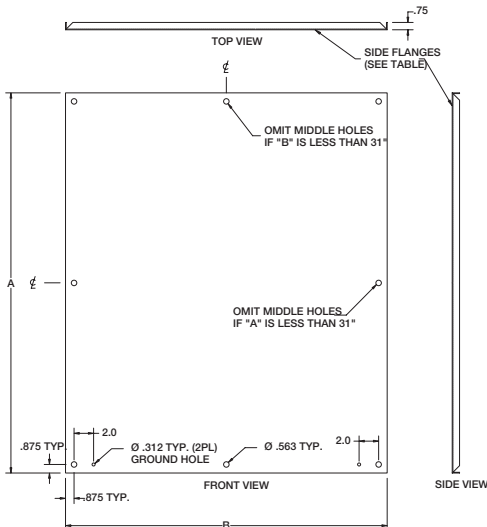


NP1212

**FEATURES-SPECIFICATIONS**

**Description**

- Steel and stainless panels are 12 gauge
- Aluminum panels are 5052-H32 aluminum alloy, .080-inch thick
- Panel with any side over 17.00" has 3/4" flange on all sides
- Steel panels are painted white polyester powder
- Panels fit the following enclosures:
  - NEMA 1, Large (NIC)
  - NEMA 3R, Hinge Cover (RHC, Large)
  - NEMA 4, 412, & 4X Single Door (N12, N4, N412, SSN4)
  - NEMA 12 2-Door Wall-Mount, (WAWF), Single Door Right Flange Disconnect (SDN12, ABN12) Large JIC (B-CH, Large) Single door N12



BACK PANELS FOR NEMA 1, 3R, 12, 4 & 4X WALL-MOUNT ENCLOSURES			
PAINTED STEEL (WHITE)	CATALOG NUMBER		PANEL SIZE A X B
	316 STAINLESS STEEL	ALUMINUM	
NP1212	—	—	9.00X9.00 (229X229)
NP1224	—	—	9.00X21.00 (229X533)
NP1612	NP1612SSA	ALNP1612	13.00X9.00 (330X229)
NP1616	NP1616SSA	ALNP1616	13.00X13.00 (330X330)
NP1620	—	—	17.00X13.00 (432X330)
NP2012	—	—	17.00X9.00 (432X229)
NP2016	NP2016SSA	ALNP2016	17.00X13.00 (432X330)
NP2024	—	—	21.00X17.00 (533X432)
NP2020	NP2020SSA	ALNP2020	17.00X17.00 (432X432)
NP2412	—	—	21.00X9.00 (533X229)
NP2416	NP2416SSA	—	21.00X13.00 (533X330)
NP2420	NP2420SSA	ALNP2420	21.00X17.00 (533X432)
NP2424	NP2424SSA	ALNP2424	21.00X21.00 (533X533)
NP2430	—	—	27.00X21.00 (686X533)
NP3016	—	—	27.00X13.00 (686X330)
NP3020	NP3020SSA	—	27.00X17.00 (686X432)
NP3024	NP3024SSA	ALNP3024	27.00X21.00 (686X533)
NP3030	NP3030SSA	—	27.00X27.00 (686X686)
NP3036	—	—	33.00X27.00 (838X686)
NP3042	—	—	39.00X27.00 (991X686)
NP3624	NP3624SSA	ALNP3624	33.00X21.00 (838X533)
NP3630	NP3630SSA	ALNP3630	33.00X27.00 (838X686)
NP3636	NP3636SSA	—	33.00X33.00 (838X838)
NP3642	—	—	39.00X33.00 (991X838)
NP4024	—	—	37.00X21.00 (940X533)
NP4224	—	—	39.00X21.00 (991X533)
NP4230	NP4230SSA	—	39.00X27.00 (991X686)
NP4236	NP4236SSA	—	39.00X33.00 (991X838)
NP4824	—	—	45.00X21.00 (1143X533)
NP4830	—	—	45.00X27.00 (1143X686)
NP4836	NP4836SSA	ALNP4836	45.00X33.00 (1143X838)
NP6030	—	—	57.00X27.00 (1448X686)
NP6036	NP6036SSA	ALNP6036	57.00X33.00 (1448X838)
NP7230	—	—	69.00X27.00 (1753X686)
NP7236	—	—	69.00X33.00 (1753X838)